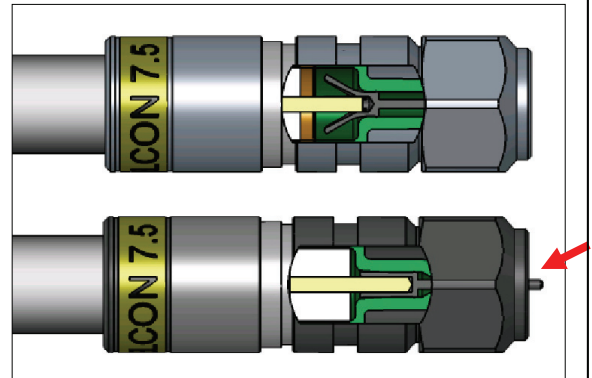


Corning Cabelcon New CX3 QuickMount™ Connector



The Easy-to-Install alternative for all your RG11 applications

No more hard work on PE cables. CX3™ QuickMount™ ensures easy and safe installation every time.



CX3™ QuickMount™ is equipped with Cabelcon's unique PushPin™ system (patented) for a safe grip on the inner conductor and easy determination of properly inserted cable. The pin is visible when the cable is in place!

CX3 QuickMount™ connectors are true Cabelcon quality products, offering the highest performance required by leading operators.

CX3 QuickMount™ RG11 connectors has no sleeve inside and are therefore extremely easy to install - even on hard PE cables, while ensuring superior pull off strength!

CX3 QuickMount™ is of course NiTin-6™ plated. The unique Cabelcon EPDM sealing in the nut and the compression sealing to the cable makes CX3 QuickMount™ 100 % waterproof IPX8 (30m/8h).

- Excellent pull strength
- Operational to above 3 GHz
- True Cabelcon Nitin-6™ plating
- Unique Cabelcon PushPin™ system
- QuickMount™ - for easy installation
- Waterproof IPX8 - 30 meter/8 hours
- One-piece connector – no loose parts
- Fits standard RG11 and RG11 Quad cables
- Professional quality and excellent performance

Technical Data (Typical)

Operational to 3 GHz	
Impedance	75 Ohm
Shielding Eff. 30 - 3000 MHz	120 dB
Transfer Impedance 5-30 MHz	0,1 mOhm
Return loss 0.3 - 500 MHz (typ)	48 dB
Return loss 500 – 1000 MHz (typ)	41 dB
Return loss 1000 – 3000 MHz (typ)	31 dB
IMD (3 rd order@2x100mW)	-130dBc
IMD (IP3 value)	+85 dBm
AMP ratings	7.5A@10° increase 10.5A@20° increase
Max. Tensile strength (overall)	450 N

Ordering information

FM-RG11-CX3 QM 10.5	99909538
FM-RG11Q-CX3 QM 11.0	99909539

CABELCON
connectors